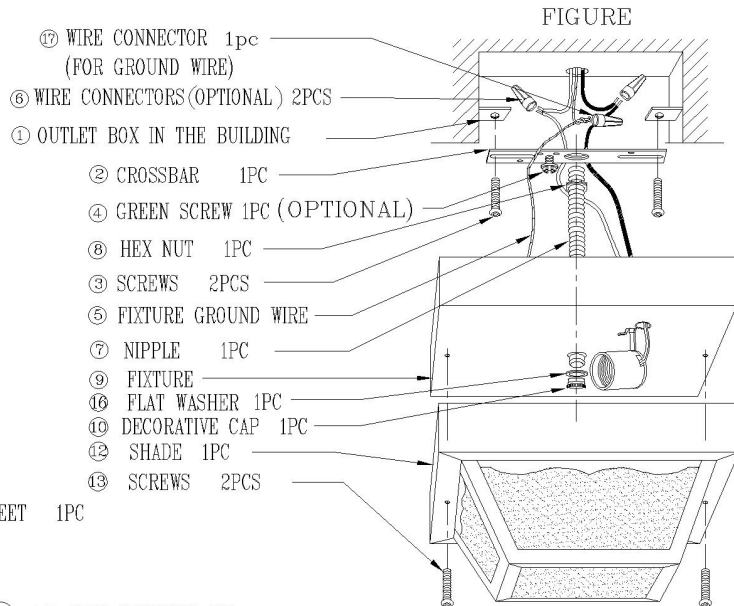
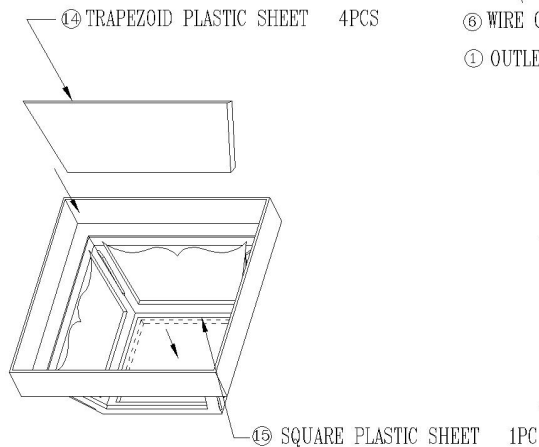


# HOMEPLACE

by Capital Lighting Fixture Co.

# LIGHTING



- ⑰ WIRE CONNECTOR 1pc (FOR GROUND WIRE)
- ⑥ WIRE CONNECTORS (OPTIONAL) 2PCS
- ① OUTLET BOX IN THE BUILDING
- ② CROSSBAR 1PC
- ④ GREEN SCREW 1PC (OPTIONAL)
- ⑧ HEX NUT 1PC
- ③ SCREWS 2PCS
- ⑤ FIXTURE GROUND WIRE
- ⑦ NIPPLE 1PC
- ⑨ FIXTURE
- ⑯ FLAT WASHER 1PC
- ⑩ DECORATIVE CAP 1PC
- ⑫ SHADE 1PC
- ⑬ SCREWS 2PCS

(3) ASSEMBLING INSTRUCTION:

FIRST, PUT (15 SQUARE PLASTIC SHEET) AT THE BOTTOM OF (12 SHADE) VERTICALLY, THEN INSERT (14 TRAPEZOID PLASTIC SHEET) TO SIDE NOTCH OF (12 SHADE). (NOTE: THE BEVEL EDGE SIDE IS INSIDE).

(4) INSTALLING WAY:

- ① OUTLET BOX IN THE BUILDING
- ② CROSSBAR
- ③ SCREWS 2PCS: FASTEN (2 CROSSBAR) TO (1 OUTLET BOX) WITH (3 SCREWS).
- ⑤ FIXTURE GROUND WIRE: TWIST (5 FIXTURE GROUND WIRE) AND GROUND WIRE FROM OUTLET BOX, FIX THEM WITH (17 WIRE CONNECTOR) (PROVIDED).
- ⑥ WIRE CONNECTORS 2PCS (OPTIONAL): CONNECT FIXTURE WIRE WITH SUPPLY WIRE TOGETHER.
- ⑦ NIPPLE 1PC: INSERT (7 NIPPLE) INTO THE CENTER HOLE OF (2 CROSSBAR), AND ADJUST TO SUITABLE LENGTH.
- ⑧ HEX NUT 1PC: FASTEN (8 HEX NUT) AGAINST (7 NIPPLE), MAKE IT SECURED.
- ⑨ FIXTURE:
- ⑩ DECORATIVE CAP 1PC: MAKE (7 NIPPLE) PASS THROUGH CENTRE HOLE OF (9 FIXTURE) AND (16 FLAT WASHER) TO MAKE (9 FIXTURE) AGAINST ON CEILING, SCREW (10 DECORATIVE CAP) ON (7 NIPPLE) TO FASTEN (9 FIXTURE) AGAINST CEILING.
- ⑪ TURN ON ELECTRICITY AFTER ASSEMBLING THE BULBS TO TEST IF THE ELECTRICITY CAN WORK NORMALLY. (MAKE SURE THE BULBS CAN WORK)
- ⑫ SHADE 1PC
- ⑬ SCREWS 2PCS: MAKE THE (13 SCREWS) PASS THROUGH THE SIDE HOLES OF (12 SHADE) AND SECURE AGAINST (9 FIXTURE), TO SECURE (12 SHADE), TAKE CARE WHEN ASSEMBLING OR DISASSEMBLING (12 SHADE) TO AVOID BREAKAGE OF (12 SHADE).

NOTE: THE APPEARANCE OF FIXTURE AND QUANTITY OF SOCKET(S) IS SUBJECT TO THE ACTUAL FIXTURE YOU RECEIVED, WHICH IS DIFFERENT FROM THE FIGURE IN THIS INSTRUCTION SHEET, BUT IN SAME INSTALLING WAY AS BELOW.

ITEM NO.: 9237, 9239